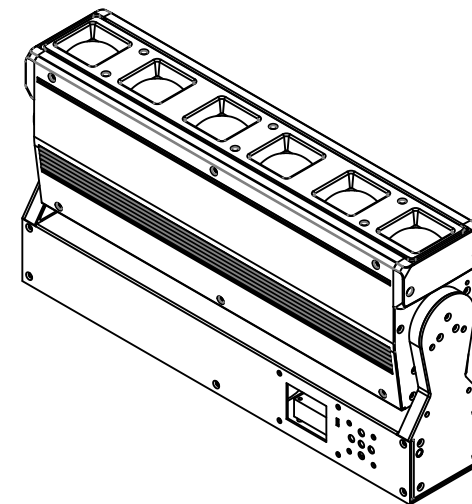


BARSHOW 640RGBW



CE   IP20 t_a 40°C t_c 150°C

User Manual
KEEP THIS MANUAL FOR FUTURE NEEDS

1 SAFETY INSTRUCTIONS



CAUTION

Be careful with your operations. With a dangerous voltage you can suffer a dangerous electric shock when touching wires!

This device has left the factory in perfect condition. In order to maintain this condition and to ensure a safe operation, it is absolutely necessary for the user to follow the safety instructions and warning notes written in this user manual.



IMPORTANT

Damages caused by the disregard of this user manual are not subject to warranty. The dealer will not accept liability for any resulting defects or problems.

If the device has been exposed to temperature changes due to environmental changes, do not switch it on immediately. The arising condensation could damage the device. Leave the device switched off until it has reached room temperature.

This device falls under protection-class I. Therefore it is essential that the device be earthed.

The electric connection must carry out by qualified person.

The device shall only be used with rated voltage and frequency.

Make sure that the available voltage is not higher than stated at the end of this manual.

Make sure the power cord is never crimped or damaged by sharp edges. If this would be the case, replacement of the cable must be done by an authorized dealer.

Always disconnect from the mains, when the device is not in use or before cleaning it. Only handle the power cord by the plug. Never pull out the plug by tugging the power cord.

During initial start-up some smoke or smell may arise. This is a normal process and does not necessarily mean that the device is defective, it should decrease gradually.

Please don't project the beam onto combustible substances.

Fixtures cannot be installed on combustible substances, keep more than 50cm distance with wall for smooth air flow, so there should be no shelter for fans and ventilation for heat radiation.

If the external flexible cable or cord of this luminaire is damaged, it shall be exclusively replaced by the manufacturer or his service agent or a similar qualified person in order to avoid a hazard.

9 MAINTENANCE AND CLEANING

The following points have to be considered during the inspection:

- 1) All screws for installing the devices or parts of the device have to be tightly connected and must not be corroded.
- 2) There must not be any deformations on the housing, color lenses, fixations and installation spots (ceiling, suspension, trussing).
- 3) Mechanically moved parts must not show any traces of wearing and must not rotate with unbalances.
- 4) The electric power supply cables must not show any damage, material fatigue or sediments.

Further instructions depending on the installation spot and usage have to be adhered by a skilled installer and any safety problems have to be removed.



CAUTION

Disconnect from mains before starting maintenance operation



In order to make the lights in good condition and extend the life time, we suggest a regular cleaning to the lights.

- 1) Clean the inside and outside lens each week to avoid the weakness of the lights due to accumulation of dust.
- 2) Clean the fan each week.
- 3) A detailed electric check by approved electrical engineer each three month, make sure that the circuit contacts are in good condition, prevent the poor contact of circuit from overheating.

We recommend a frequent cleaning of the device. Please use a moist, lint-free cloth. Never use alcohol or solvents.

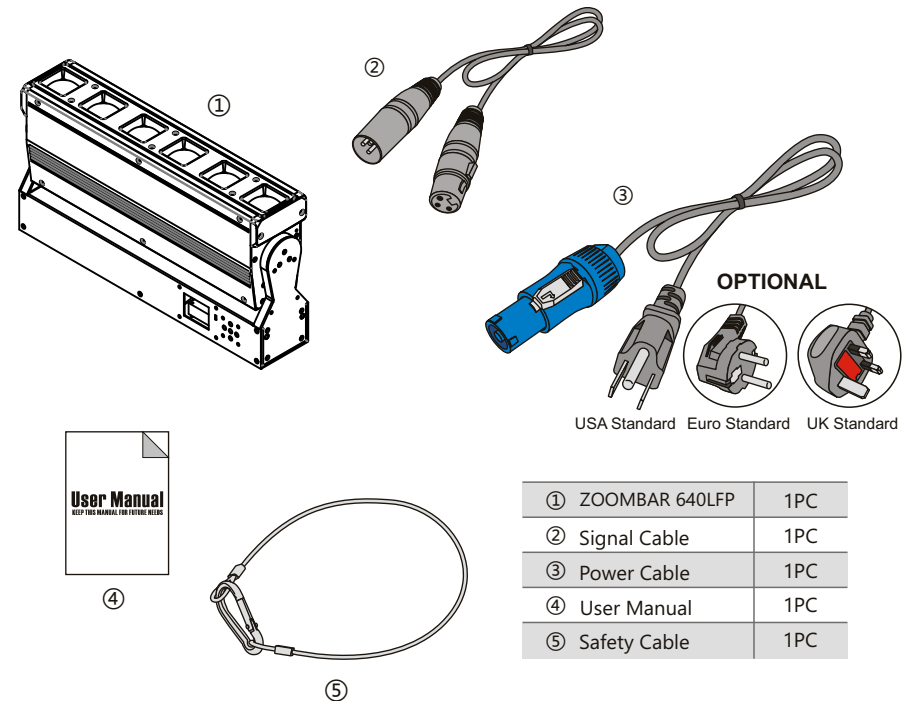
There are no serviceable parts inside the device. Please refer to the instructions under "Installation instructions".

Should you need any spare parts, please order genuine parts from your local dealer.

2 UNPACKING

The BARSHOW 640RGBW is an ultra high power LED based moving head beam bar with smart and compact stylish fireproof housing with a smooth, fast and quiet TILT movement. The zoom angle is 4°-40° for each LED with sharp beam effect and pure even coverage. It features 6*40W OSRAM 4-IN-1 RGBW LED sources with pixel mapping capability which not only allows you to create an endless range of color variations, but also to use each LED of the array as a pixel in order to draw all kinds of graphic images that change dynamically both in shape and color. It provides variable speed shutter/strobe effect, virtual color macro effect, dynamic patterns, static patterns to its users for easy operation. The 2*1/4 turn fastening omega clamps. The fixture supports DMX, RDM (Remote Device Management). Two fixtures can be joined together seamlessly with the specific parts.

The fixture is tuned with proper LED refresh rate for flicker free operation for TV and FILM. It's a perfect option for large scale live concerts, TV productions, road shows, clubs/bars, weddings, etc.



3 FEATURES & SPECIFICATIONS

Features

6*OSRAM LE RTDUW S2WN 40W LED
 6PCS high efficiency acrylic lens
 4°-40°zoom angle
 TILT movement: 230°(8/16 bit)
 Fast, quiet, smooth and precise 3-phase motors
 Smooth, fast and precise resolution for TILT movement with low noise operation
 Scan position memory, auto reposition after unexpected movement
 Pixel mapping capability with each LEDs controllable individually
 Sophisticated 4 colors RGBW mixed
 Sharp beam effect
 Preset 20 static patterns
 Preset 40 dynamic patterns with variable speed
 Preset 11 dynamic color macro with variable speed
 Preset foreground color options for PATTERNS
 Preset background color options for PATTERNS, with 0-100% linear dimmer
 LED mirror effect
 1-25T/sec high speed shutter/strobe effect with variable speed
 Preset pulse strobe effect with variable speed
 Random strobe effect with fast/mid/slow speed
 0-100% Smooth linear LED dimming with fine control
 18/32 DMX channels USITT DMX-512
 DMX512, master-slave, sound activated or auto operation
 DMX recorder and edit function integrated
 RDM available (Remote Device Management)
 Shielded input signal protection for stable signal without interference
 3-Pin XLR connectors IN/OUT
 1.8" TFT LCD display
 English/Chinese menu
 5 Control buttons
 180°Reversible for LCD display
 Display auto OFF
 Advanced cooling system integrated aluminum and copper with liquid
 Constant temperature readout and management function
 Over temperature protection management
 Electronic supply with active PFC

18	Function	
	Fixture Reset	101-120
	Reserve	其它

(32CH)	Function	value
1	Tilt	0 - 255
2	TiltFine	0 - 255
3	Tilt-Speed	0 - 255
4	Zoom	0 - 255
5	Dimmer	0 - 255
6	DimFine	0 - 255
7	Strobe	0 - 3
		4 - 103
		104 - 107
		108 - 207
		208 - 212
		213 - 225
		226 - 238
		239 - 251
252 - 255		
8	LED1 Red	0 - 255
9	LED1 Green	0 - 255
10	LED1 Blue	0 - 255
11	LED1 White	0 - 255
12	LED2 Red	0 - 255
13	LED2 Green	0 - 255
14	LED2 Blue	0 - 255
15	LED2 White	0 - 255
...
28	LED12 Red	0 - 255
29	LED12 Green	0 - 255
30	LED12 Blue	0 - 255
31	LED12 White	0 - 255
32	Function	
	Fixture Reset	101-120
	Reserve	其它

8 DMX CHANNELS

(18CH)	Function	value
1	Tilt	0 - 255
2	TiltFine	0 - 255
3	Tilt-Speed	0 - 255
4	Zoom	0 - 255
5	Dimmer	0 - 255
6	DimFine	0 - 255
7	Strobe	0 - 3
		4 - 103
		104 - 107
		108 - 207
		208 - 212
		213 - 225
		226 - 238
		239 - 251
252 - 255		
8	Red	0 - 255
9	Green	0 - 255
10	Blue	0 - 255
11	White	0 - 255
12	Inner Effect	0 - 10
		11 - 13
		14 - 16
	
		67 - 70
		71 - 72
		73 - 75
	
		188 - 190
		191 - 193
	
		218 - 220
		221 - 255
13	Effect Speed	0 - 255
14	LED Mirror	0 - 255
15	ForColor	0 - 255
16	BackColor	0 - 255
17	BackColor Dimmer	0 - 255

AC100-240V 50/60Hz

PowerCON IN/OUT with switch and fuse

250W Power consumption

Operating positions: all (device on floor or fixed to a support)

-25°C to 45°C ambient temperature

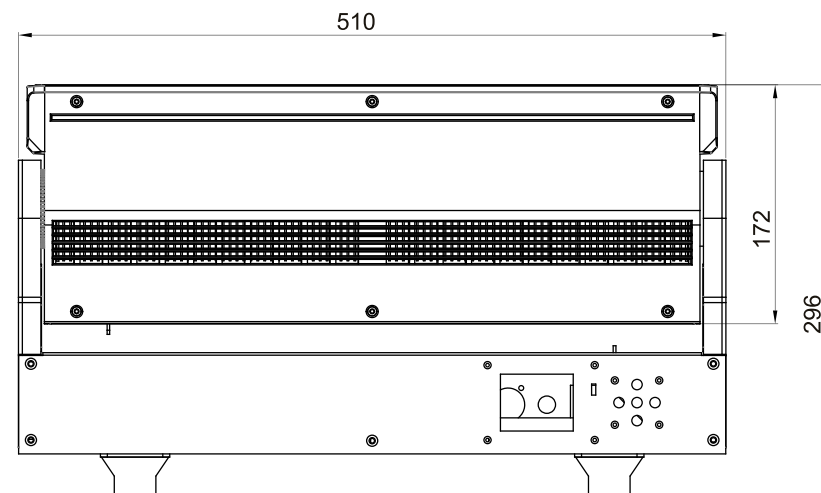
IP20 protection rating

N.W.: 8.5kg

G.W.: 10kg

Product Dimensions: 172(D)*510(W)*296(H)mm

Packing Dimensions: 185(D)*675(W)*360(H)mm

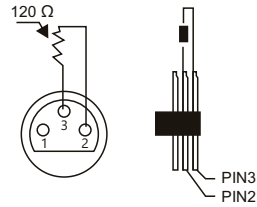


4 OPERATION INSTRUCTIONS

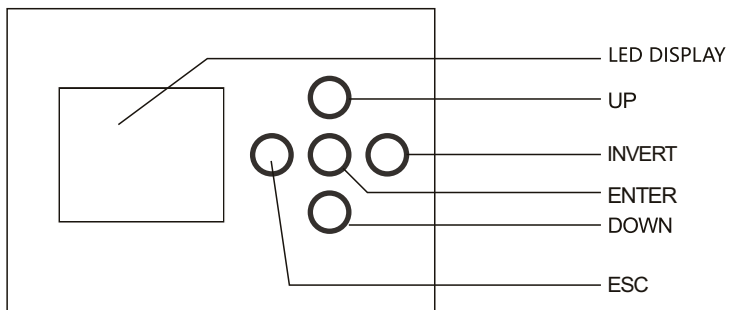
- Don't turn on the fixture if it's been through severe temperature difference like after transportation because it might damage the light due to the environment changes. So make sure to operate the fixture until it is in normal temperature.
- This light should be keep away from strong shaking during any transportation or movement.
- Don't pull up the light by only the head, or it might cause damages to the mechanical parts.
- Don't expose the fixture in overheat, moisture or environment with too much dust when installing it. And don't lay any power cables on the floor. Or it might cause electronic shock to the people.
- Make sure the installation place is in good safety condition before installing the fixture.
- Make sure to put the safety chain and check whether the screws are screwed properly when installing the fixture.
- Make sure the lens are in good condition. It's recommended to replace the units if there are any damages or severe scratch.
- Make sure the fixture is operated by qualified personnel who knows the fixture before using.
- Keep the original packages if any second shipment is needed.
- Don't try to change the fixtures without any instruction by the manufacturer or the appointed repairing agencies.
- It is not in warranty range if there are any malfunctions from not following the user manual to operate or any illegal operation, like shock short circuit, electronic shock, lamp broke, etc.

main menu	Secondary menu	Three-level menu	parameter
Dmx Address	001 - 512		
Fixture	Ch Mode	STD/EXT	
	Run Mode	DMX/Host/Sound	
	Tilt Inv	Close/Open	
Manual	Tilt	0 - 255	
	Tilt Fine	0 - 255	
	.	0 - 255	
	.	0 - 255	
Information	Time	Current Time	xxxh
		Total Time	xxxh
		Power Count	xxx
	Sensor	Tilt	TRUE/FALSE
		Zoom1	TRUE/FALSE
		Zoom2	TRUE/FALSE
		Temp	TRUE/FALSE
	Temperature	Head Temp	xxx C
Software Version	Panel	Vx.xxx	
	Dimmer	Vx.xxx	
Factory	Password	0 - 255	
	Tilt	0 - 255	
	Zoom1	0 - 255	
	Zoom2	0 - 255	
	Red	0 - 255	
	Green	0 - 255	
	Blue	0 - 255	
	White	0 - 255	
Fixture Reset	Reset	Run/OFF	
	Factory	Run/OFF	
Display	Language	EN/CH	
	Display Flip	Normal/Reverse	
	Display Mode	Show/60s	

For installations where the DMX cable has to run a long distance or is in an electrically noisy environment, such as in a discotheque, it is recommended to use a DMX terminator. This helps in preventing corruption of the digital control signal by electrical noise. The DMX terminator is simply an XLR plug with a 120 Ω resistor connected between pins 2 and 3, which is then plugged into the output XLR socket of the last fixture in the chain. Please see illustrations below.



7 MENU OPERATIONS



5 INSTALLATIONS

Cautions: For added protection mount the fixtures in areas outside walking paths, seating areas, or in areas where the fixture might be reached by unauthorized personnel.

Before mounting the fixture to any surface, make sure that the installation area can hold a minimum point load of 10 times the device's weight.

Fixture installation must always be secured with a secondary safety attachment, such as an appropriate safety cable.

Never stand directly below the device when mounting, removing, or servicing the fixture.

from a ceiling, or set on a flat level surface (see illustration below). Be sure this fixture is kept at least 0.5m (1.5 ft) away from any flammable materials (decoration etc.).

Always use and install the supplied safety cable as a safety measure to prevent accidental damage and/or injury in the event the clamp fails.

Mounting points: Overhead mounting requires extensive experience, including amongst others calculating working load limits, a fine knowledge of the installation material being used, and periodic safety inspection of all installation material and the fixture. If you lack these qualifications, do not attempt the installation yourself.

Improper installation can result in bodily injury.

Be sure to complete all rigging and installation procedures before connecting the main power cord to the appropriate wall outlet.

Clamp Mounting: The BARSHOW 640RGBW provides a unique mounting bracket assembly that integrates the bottom of the base, and the safety cable rigging point in one unit (see

the illustration below). When mounting this fixture to truss be sure to secure an appropriately rated clamp to the included omega bracket using a M10 screw fitted through the center hole of the "omega bracket". As an added safety measure be sure to attached at least one properly rated safety cable to the fixture using one of the

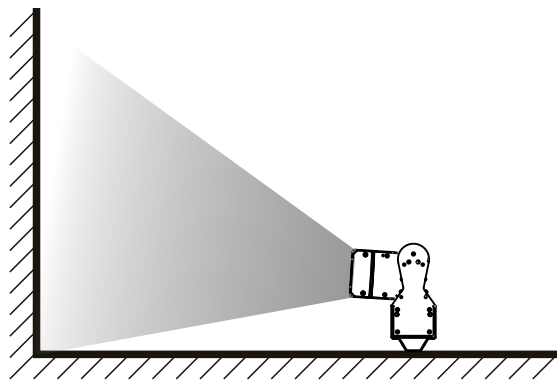
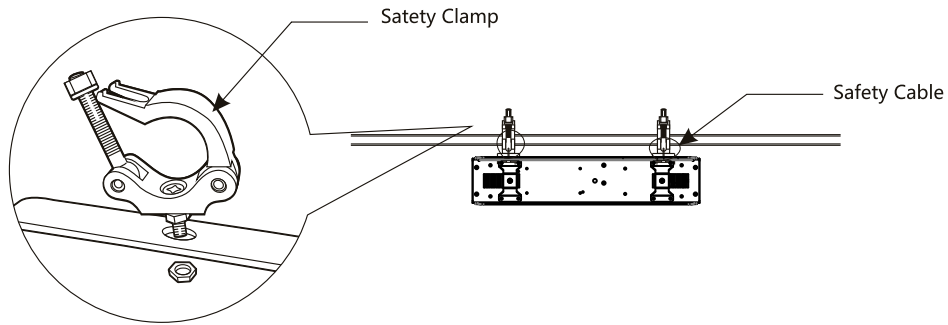
fixture using one of the safety cable rigging point.

6 DMX-512 CONTROL CONNECTIONS

Connect the provided XLR cable to the female 3-pin XLR output of your controller and the other side to the male 3-pin XLR input of the moving head. You can chain multiple

Moving head together through serial linking. The cable needed should be two core, screened cable with XLR input and output connectors. Please refer to the diagram below.

DMX-512 connection with DMX terminator



Floor projection

